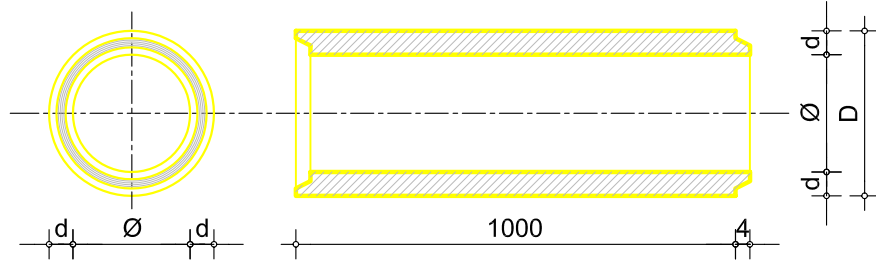
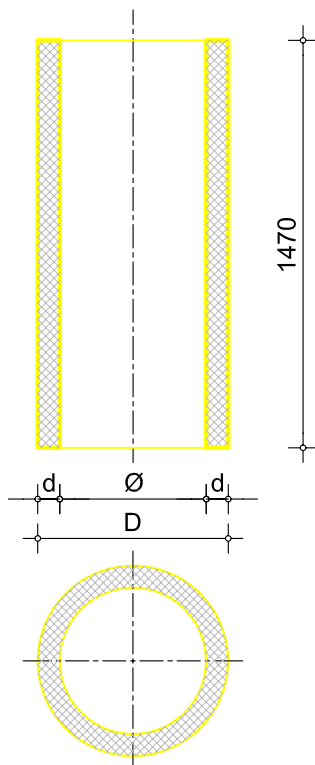


МАШИНСКИ ЦЕВКИ CONCRETE PIPES



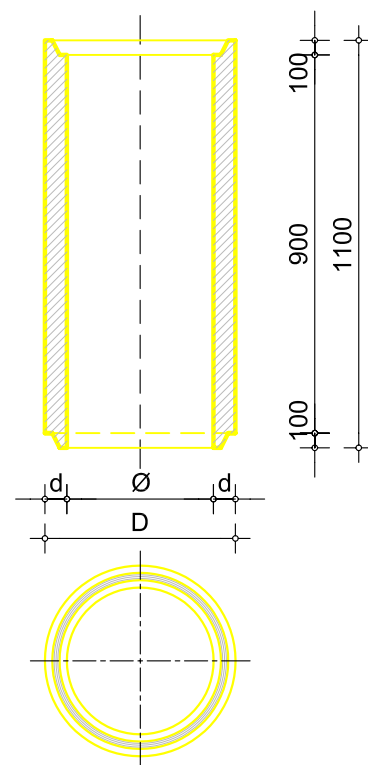
| | | | | | | | | |
|--------------|-----|-----|-----|-----|-----|-----|-----|-----|
| Φ (mm). | 150 | 200 | 300 | 400 | 500 | 600 | 700 | 800 |
| d (mm). | 35 | 35 | 40 | 45 | 50 | 50 | 60 | 70 |
| D (mm). | 220 | 270 | 380 | 490 | 600 | 700 | 820 | 940 |
| G (kg). | 49 | 62 | 103 | 151 | 207 | 245 | 344 | 450 |

А.Б. ЦЕВКИ БЕЗ МУФ STRAIGHT PIPES



| | | |
|--------------|------|------|
| Φ (mm). | 1000 | 1500 |
| d (mm.) | 100 | 100 |
| D (mm). | 1200 | 1700 |
| G (kg). | 1270 | 1900 |

А.Б ЦЕВКИ НА ПЕРО И ЖЛЕБ PIPES WITH TONGAU AND GROOTE



| | | |
|--------------|------|------|
| Φ (mm). | 1900 | 2500 |
| d (mm.) | 20 | 20 |
| D (mm). | 2300 | 2900 |
| G (kg). | 3300 | 4250 |